



# StarCamp

Collection 2022



MAKING LIFE SIMPLE

*Sometimes the simple things in life are all that is required. This applies to our StarCamp brand, perfectly. As part of Dorema, StarCamp awnings are the ideal entry level awnings that combine value with quality.*

### 'WHICH PORCH AWNING WILL FIT MY CARAVAN / MOTORHOME?'

This is a common question that we are regularly asked. Our porch awnings are designed to fit along the straight top horizontal section of the awning rail on your caravan (**measurement A**). Motorhome owners will need to measure the awning rail system fitted to their vehicle to determine measurement **A**. Please note that we provide 'Tunnel Beading Length' measurements with all Starcamp motorhome awnings.

The measurement from the ground to the awning rail, at the top of your caravan or motorhome, should be 235cm to 250cm (**measurement B**). For motorhomes we provide various range of heights which determine the tunnel size required.



We provide the floor size measurement and the roof width measurement for all of our porch awnings.

These measurements will determine whether the sides of the porch awning are sloping or 90 degrees vertical. There are other factors which you may want to consider, for example, the location of vents, lockers, windows, etc.

With this information you will be able to make the right choice on the porch awning that best suits your requirements.



CARAVAN PORCH AWNINGS	PAGE
• Quick'N'Easy Air 225, 265, 325, 385	3
• Mistral Ripstop	4
• Magnum 260 & 390	5
• Magnum Air Force KlimaTex 260 & 390	6-7
<b>SUN CANOPY</b>	
• Quick'N'Easy Air Sunshade 265, 325, 385	8
<b>CAMPERVAN &amp; MOTORHOME AWNINGS</b>	
• Quick'N'Easy 265 Air MHA Low & Tall	9
• Traveller Air KlimaTex & XL	10
• Discovery Air	11



LIGHTWEIGHT

LIGHTWEIGHT	
INTENDED USE	Awnings suitable for short breaks and long weekends between April to September.



TOURING

TOURING	
INTENDED USE	Awning suitable for touring holidays and short breaks. Up to 12 weeks per year between March to September.



EASY AIR FRAME



AIR



HAND PUMP INCLUDED



EASYGRIP



# QUICK'N'EASY AIR 225, 265, 325 & 385

IT'S ALL IN THE NAME

4 size options / Internal roll up privacy blinds / Storm buckles and straps included

CARAVAN PORCH

FROM  
**£267**

### Technical Data:

**Height:** To fit caravans from 235 - 250 cm

**Floor sizes:** 225 x depth 240 cm  
265 x depth 240 cm  
325 x depth 240 cm  
385 x depth 240 cm

**Frame:** Single arched air tube for all sizes.  
Recommended air pressure 8-10 psi.  
325 has 1 x central roof air tube.  
385 has 3 x roof air tubes as standard

**Colour:** charcoal / grey

**Privacy Blinds:** Internal roll up privacy blinds fitted to all windows.

### Optional Extras:

- Additional Roof Air tubes
- Rear Upright Leg set
- Roof Lining

**Roof and wall material:** Extra strong quality WeatherTex 150D PU coated, fire retardant polyester.

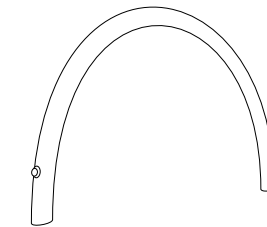
**Frontpanel:** Can be rolled up.

**Sidepanels:** Fitted doors to both sides with sewn in rear cushion pads.

**Ventilation:** Zipped fly screen door to both sides. Covered ventilation points to top rear outer corners on both sides.

**Total weight:** 225 = 9 kg (approx.)  
265 = 11 kg (approx.)  
325 = 13 kg (approx.)  
385 = 15 kg (approx.)

**Storm buckles and straps fitted as standard.**



Quick'N'Easy main frame



LIGHTWEIGHT



AIR



HAND PUMP INCLUDED

PRODUCT	
QUICK'N'EASY AIR 225	<b>£267</b>
QUICK'N'EASY AIR 265	<b>£303</b>
QUICK'N'EASY AIR 325	<b>£364</b>
QUICK'N'EASY AIR 385	<b>£459</b>

OPTIONAL EXTRAS	
ADDITIONAL ROOF AIR TUBE	<b>£20</b>
REAR UPRIGHT LEG SET	<b>£14</b>
225 ROOF LINING	<b>£11</b>
265 ROOF LINING	<b>£13</b>
325 ROOF LINING	<b>£18</b>
385 ROOF LINING	<b>£20</b>

Air awnings need to be monitored regularly and may require a top up of air to maintain stability.



# MISTRAL RIPSTOP

THE PERFECT LIGHTWEIGHT PORCH FOR SHORT BREAKS & LONG WEEKENDS

Taped Seams / Simple to erect



## Technical Data:

**Height:** To fit caravans from 235 - 250 cm

**Floor sizes:** **Roof Width:**

300 x 240 cm 250 cm

**External Frame:** 22 mm EasyGrip steel

**Colour:** charcoal / grey

**Privacy Blinds:** Internal roll up privacy blinds fitted to all windows.

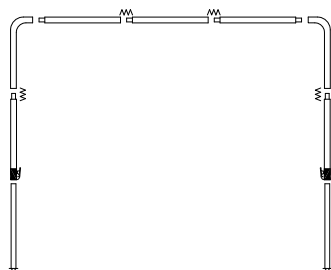
**Roof and wall material:** Extra strong quality WeatherTex 150D PU coated, fire retardant polyester.

**Frontpanel:** Zip out panel.

**Sidepanels:** Fitted doors to both sides with part fly screen.

**Total weight:** 12 kg (approx.)

ONLY  
**£318**



Mistral Ripstop frame



PRODUCT	SIZE	
MISTRAL RIPSTOP	240 x 300 cm	£318



LIGHTWEIGHT



EASYGRIP



# MAGNUM 260 & 390

AFFORDABLE TOURING AWNING

Taped Seams / Lightweight materials / Simple to erect

CARAVAN  
PORCH

FROM  
**£318**

### Technical Data:

**Height:** To fit caravans from 235 - 250 cm  
**Floor sizes:** **Roof Width:**  
 260 x 240 cm 260 cm  
 390 x 240 cm 390 cm  
**Frame:** Flexible fibre poles fitted through the outer sleeves. Steel roof support poles, sunshade legs and rear upright legs are supplied as standard.  
**Colour:** charcoal / grey

**Privacy Blinds:** Internal roll up privacy blinds fitted to all windows.

**Roof and wall material:** Extra strong quality WeatherTex 150D PU coated, fire retardant polyester.

**Frontpanels:** Roll up panels that can be used to create a sunshade.

**Sidepanels:** Fitted doors to both sides with sewn in rear cushion pads.

**Ventilation:** Zipped fly screen door to both sides. Canopied ventilation above front windows.

### Total weight:

Magnum 260 = 15 kg (approx.)

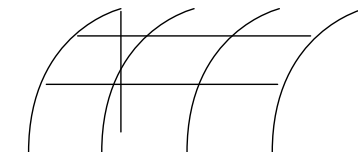
Magnum 390 = 19 kg (approx.)

### Optional Extras:

- 2 berth inner tent
- Roof lining



Magnum 260 with sunshade effect



Magnum 390 frame



Magnum 390

PRODUCT	
MAGNUM 260	<b>£318</b>
MAGNUM 390	<b>£383</b>

OPTIONAL EXTRAS	
2 BERTH INNER TENT	<b>£76</b>
260 ROOF LINING	<b>£31</b>
390 ROOF LINING	<b>£46</b>



LIGHTWEIGHT

# MAGNUM AIRFORCE KLIMATEX

THE LATEST GENERATION OF VERSATILE PORCH AWNINGS

External single inflation point / Flexible layout combinations to suit your desired living space / Free standing left and right AddExes

## Technical Data:

**Height:** To fit caravans from 235 - 250 cm  
**Floor sizes:** *Roof Width:*  
 260: 260 x 280 cm 260 cm  
 390: 390 x 280 cm 390 cm  
**AddEx:** 270 x 280 cm *n/a*  
**Colour:** charcoal / grey  
**Frame:** Easy Air Frame System (EAF)  
**Privacy Blinds:** Internal zipped privacy blinds fitted to all windows.  
 Rear upright poles and sewn in rear cushion pads supplied as standard.

**Material Roof and Side:** Extra strong KlimaTex Touring Quality 300D PU coated, fire retardant polyester.

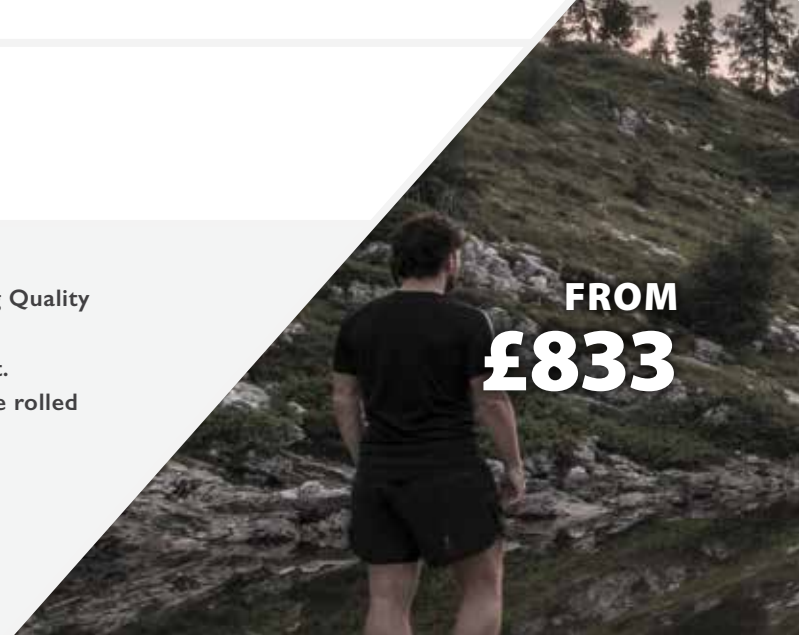
**Frontpanels:** All panels can be rolled down or zipped out.

**Sidepanels:** Both panels are fitted with a door and can be rolled back to open up the side.

### Total weight:

260	25 kg (approx.)
390	35 kg (approx.)
AddEx	12 kg (approx.)

**Storm buckles and straps fitted as standard.**



FROM  
**£833**



Magnum Air Force 390 KlimaTex with optional left AddEx and Sun Canopy

StarCamp



TOURING



EASY AIR  
FRAME



9.7 BAR / 10 PSI  
HAND PUMP  
INCLUDED





**Optional Extras:**

- Rail stopper
- Left / Right AddEx
- Inner tent
- Roof lining
- Veranda Air tube
- Rechargeable Cordless Electric Pump
- Sun canopy

AddEx rear panel has a window with fitted internal zipped privacy blind

Bottom of AddEx rear panel can be unzipped for easy access to storage lockers on caravan.



Left AddEx with panels zipped out



Top rear corners  
Zipped fly screen door to both sides

**Optional Extras:**

- AddEx
- Inner tent
- Roof lining
- Mesh Front Panel
- Sun Canopy



AddExes are fully sealed to the side of the porch awning by an all round covered zip. Please note that the AddExes do not fit into the caravan awning rail.

PRODUCT	CM	
MAGNUM AIR FORCE 260 KLIMATEX	260 x 280	<b>£833</b>
MAGNUM AIR FORCE 390 KLIMATEX	390 x 280	<b>£960</b>
ADDEX LEFT OR RIGHT KLIMATEX	270 x 280/205	<b>£383</b>

OPTIONAL EXTRAS	
SUN CANOPY MAF 260 KLIMATEX	<b>£54</b>
SUN CANOPY MAF 390 KLIMATEX	<b>£76</b>
INNER TENT MAGNUM AIR FORCE 260/390	<b>£73</b>
INNER TENT ADDEX LEFT/RIGHT	<b>£72</b>
ROOF LINING MAGNUM AIR FORCE 260	<b>£37</b>
ROOF LINING MAGNUM AIR FORCE 390	<b>£56</b>
ROOF LINING ADDEX LEFT/RIGHT	<b>£31</b>

# QUICK'N'EASY AIR SUNSHADE 265, 325 & 385

Single arched air tube / Zip out and roll back side panels

## Technical Data:

<b>Height:</b>	To fit caravans from 235 - 250 cm
<b>Floor sizes:</b>	265 x depth 240 cm 325 x depth 240 cm 385 x depth 240 cm
<b>Frame:</b>	Single arched air tube for all sizes. Recommended air pressure 8-10 psi. 325 has 1 x central roof air tube. 385 has 3 x roof air tubes as standard.
<b>Colour:</b>	charcoal / grey

**Roof and wall material:** Extra strong quality WeatherTex 150D PU coated, fire retardant polyester.

**Sidepanels:** Both side panels can be zipped out or rolled back.

<b>Total weight:</b>	265 = 7 kg (approx.)
	325 = 9 kg (approx.)
	385 = 10 kg (approx.)

**Storm buckles and straps fitted as standard.**

FROM  
**£238**



LIGHTWEIGHT



AIR



HAND PUMP INCLUDED

PRODUCT	CM	
QUICK'N EASY AIR SUNSHADE 265	265 x 240	<b>£238</b>
QUICK'N EASY AIR SUNSHADE 325	325 x 240	<b>£300</b>
QUICK'N EASY AIR SUNSHADE 385	385 x 240	<b>£376</b>





# QUICK'N'EASY 265 AIR MHA LOW & TALL

MOTORHOME COLLECTION

Drive away / Dual beading / Sewn in groundsheet

ONLY  
£399

### Technical Data:

**Height:** To fit campervans / motorhomes:  
Low: 180 - 210 cm  
Tall: 240 - 270 cm

**Overall Size:** 265 x 350 cm  
(size includes sewn in tunnel)

**Tunnel Beading Length:** 260 cm

**Colour:** charcoal / grey

**Frame:** Multi-valve air tube system.

**Ground Sheet:** Fitted in awning only (no ground sheet within tunnel area).

**Privacy Blinds:** Internal roll up privacy blinds fitted to all windows.

**Roof and wall material:** Extra strong quality WeatherTex 150D PU coated, fire retardant polyester.

**Frontpanel:** Fitted with zipped window and full fly screen, that can be rolled up.

**Sidepanels:** A window fitted to both sides.

**Tunnel:** Zipped door fitted to both sides. Detachable dual beading (6 & 4 mm). Where there is no awning rail beading, tunnel can be zipped off and the excess rolled material with attached guy ropes can be thrown over the vehicle to secure the tunnel.

**Total weight:** 265 = 13 kg (approx.)

**Storm buckles and straps fitted as standard.**



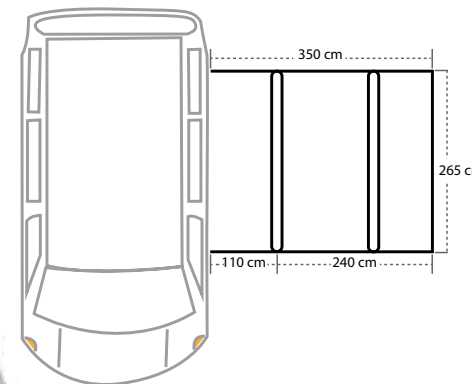
LIGHTWEIGHT



AIR



HAND PUMP INCLUDED



PRODUCT	HEIGHT CM	
LOW	180 - 210	£369
TALL	240 - 270	£399

Air awnings need to be monitored regularly and may require a top up of air to maintain stability.

# TRAVELLER AIR KLIMATEX & XL

INFLATABLE MOTORHOME ANNEX

Zip off tunnel / Drive away / Removable front panel



### Technical Data:

**Height:** To fit motorhomes  
**Traveller Air:** 180 - 270 cm  
**Traveller Air XL:** 270 - 320 cm

**Base Size:** 320 x 260 cm  
**Depth:** 260 cm  
**Depth of tunnel:** 95 cm  
**Tunnel Beading Length:** 215 cm  
**Frame:** Multi-valve air tube system.  
**Colour:** charcoal / grey

**Base Size:** 380 x 280 cm  
**Depth:** 280 cm  
**Depth of tunnel:** 95 cm  
**Tunnel Beading Length:** 215 cm  
**Frame:** Multi-valve air tube system.  
**Colour:** charcoal / grey

**Roof and Wall material:** Extra strong KlimaTex Touring Quality 300D PU coated, fire retardant polyester.

**Front panels:** Zip out panel.

**Rear panel:** Fitted with a door.

**Tunnel:** Detachable fully zipped tunnel.

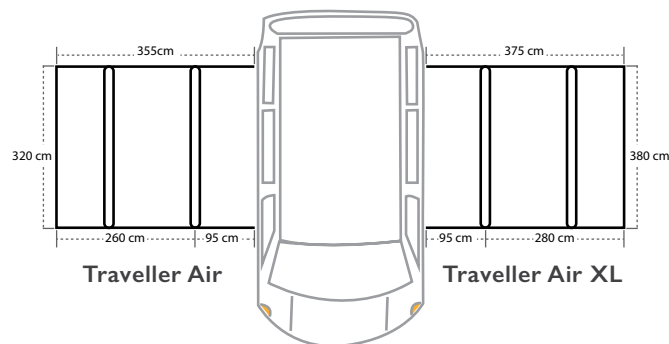
**Ventilation:** Part fly screen to both side rear windows and to front door panel.

**Weight:** 22 kg (approx.)

**Privacy Blinds:** Internal roll up privacy blinds fitted to all windows.

### Optional Extra:

- 2 berth inner tent



FROM  
**£817**



PRODUCT	CM	
TRAVELLER AIR KLIMATEX	320 x 260	<b>£817</b>
LOW	180 - 210	<b>£89</b>
MID	210 - 240	<b>£110</b>
HIGH	240 - 270	<b>£128</b>

TRAVELLER AIR XL KLIMATEX	380 x 280	<b>£983</b>
XL	270 - 300	<b>£192</b>
XXL	300 - 330	<b>£216</b>

OPTIONAL EXTRAS	
2 BERTH INNER TENT TRAVELLER AIR KT	<b>£102</b>
2 BERTH INNER TENT TRAVELLER AIR XL KT	<b>£110</b>

Air awnings need to be monitored regularly and may require a top up of air to maintain stability.

StarCamp



TOURING



AIR



HAND PUMP INCLUDED



Free standing drive away / Large front canopy / Zip off tunnel / Mid & high size options

## FROM £833



TOURING



AIR



0.7 BAR / 10 PSI  
HAND PUMP INCLUDED

### Technical Data:

**Height:** To fit motorhomes from 210 - 270 cm  
**Mid:** 210 - 240 cm  
**High:** 240 - 270 cm  
**Overall Size:** 300 x 360 cm  
 (size includes zipped tunnel  
 300 x 110 cm)

**Tunnel Beading Length:** 300 cm

**Colour:** charcoal / grey

**Frame:** Multi-valve air tube system.

**Privacy Blinds:** Internal roll up privacy blinds fitted to all windows.

**Storm buckles and straps fitted as standard.**

### Optional Extras:

- Canopy support air tube
- Inner tent
- PE floor
- Roof lining

**Roof and wall material:** Extra strong KlimaTex Touring Quality 300D PU coated, fire retardant polyester.

**Frontpanel:** Can be zipped out or rolled back to create a door.

**Sidepanels:** Both panels can be rolled back.

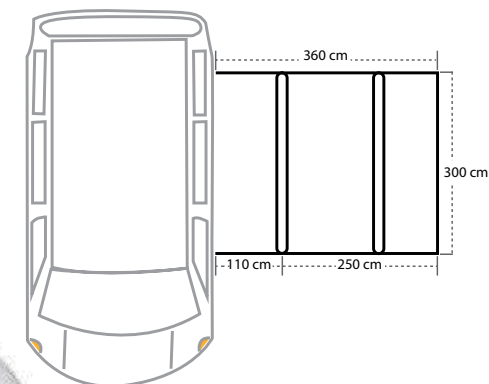
**Rear Panel:** Can be rolled up or rolled back to create a door on either side.

**Tunnel:** Detachable fully zipped tunnel.

**Ventilation:** Front panel has full zipped window fly screen and mesh strip above the window.

**Total weight:** Mid = 24 kg (approx.)  
High = 27 kg (approx.)

**Tunnel is fitted with height and roof adjustment straps.**



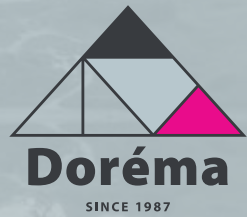
PRODUCT	CM	
MID	210 - 240	<b>£833</b>
HIGH	240 - 270	<b>£894</b>

OPTIONAL EXTRAS	
CANOPY SUPPORT AIR TUBE	<b>£22</b>
PE FLOOR	<b>£34</b>
INNER TENT	<b>£77</b>
ROOFLINING	<b>£44</b>



Air awnings need to be monitored regularly and may require a top up of air to maintain stability.





DOREMA UK LTD.  
Pioneer Way,  
Castleford  
West Yorkshire,  
WF10 5QU.  
UNITED KINGDOM

Tel. 01977 - 555215

[info@dorema.co.uk](mailto:info@dorema.co.uk)  
[www.dorema.co.uk](http://www.dorema.co.uk)

2022 - Dorema awnings have a policy of continuous improvement and we reserve the right to alter specifications and prices without prior notice.